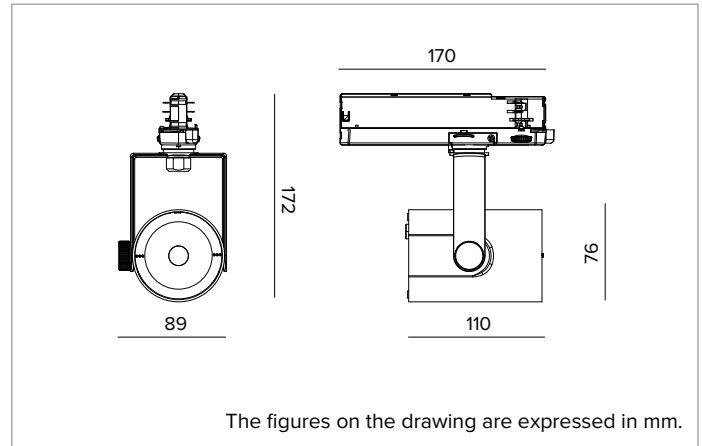


## T035MFL930ELDB | RAY 75

### Professional adjustable LED projector



|        |                              |                  |        |      |                       |      |
|--------|------------------------------|------------------|--------|------|-----------------------|------|
|        |                              | 3000K            | H(m)   | D(m) | E <sub>max</sub> (lx) |      |
|        |                              | Ra90             |        | 24°  |                       |      |
|        |                              | Fixture Power    | 18W    | 1    | 0.42                  | 7576 |
|        |                              | Source Flux      | 2078lm | 2    | 0.84                  | 1894 |
|        |                              | Fixture Flux     | 1622lm | 3    | 1.25                  | 842  |
|        |                              | Efficacy         | 90lm/W | 4    | 1.67                  | 473  |
| TS1922 | I <sub>max</sub> =3646cd/klm | I <sub>max</sub> | 7576cd | 5    | 2.09                  | 303  |



#### SOURCE

High efficiency Chip on Board LED Ra90. Ra97 on request.

**Energy efficiency class:** D

**Nominal power:** 16W

**Nominal flux:** 2078lm

**Colour rendering index:** 90

**Rf:** 92

**Rg:** 101

**CCT nominal:** 3000K

**Lifetime (L80/B10):** >50000h tq +25°C

#### ILLUMINOTECHNICAL CHARACTERISTICS

Optical grade PMMA TIR lens. Interchangeable lenses available as accessories (excluding the Narrow Spot optic).

**Optic:** LENS

**Beam angles:** FL

**Optical efficiency:** 78%

**Fixture flux:** 1622lm

**Luminous efficacy:** 90lm/W

**Photobiological safety:** Compliant with RG1 low risk group

#### MECHANICAL CHARACTERISTICS

Painted die-cast aluminium body. Black painted polycarbonate front ring. Adjustable from 0° to -90° on the vertical plane and 359° on the horizontal plane. Mechanical beam locking system on the vertical plane and friction beam locking system on the horizontal plane. The centre of gravity always remains in axis with the track regardless of the aiming.

**Colour and finish:** Deep black

**Dimensions:** 75

**Weight:** 0.53Kg

**Degree of protection:** IP20

#### ELECTRICAL CHARACTERISTICS

ON-OFF electronic driver integrated into the track adapter.

**Fixture Power:** 18W

**Power supply:** 220-240Vac 50/60Hz

**Insulation Class:** CLASS 2

**Type of driver / Control:** ON-OFF

**Driver included:** YES

**Class F:** YES

**Ambient temperature:** 0°C / +25°C

#### INSTALLATION

Electrified track mounting. Optical accessories that can be installed with a support ring are available.

#### NOTES

110-277Vac version available on request.

#### WARRANTY

5 years.

#### WARNING

Luminaire designed for disposal/recycling at end-of-life. Replaceable (LED only) light source by a professional. Replaceable control gear by a professional.

*Due to the technological evolution of the electronic components, the data provided may be updated, and as such, confirmation must be requested during the order process.*

*Luminous flux and power supply have +/-10% tolerances with respect to the indicated value. tq +25°C (CIE 121).*

*We reserve the right to make technical changes.*

Targetti Sankey S.r.l.  
Via Pratese, 164  
50145 Firenze - Italy  
Tel: +39 055 37911  
targetti.com  
targetti@targetti.com

CCIAA Firenze  
Share Capital:  
€ 500.000,00  
VAT N. (IT):  
01537660480  
R.E.A: FI-275656

**TARGETTI**

## T035MFL930ELDB | RAY 75

### Professional adjustable LED projector

#### Accessories

##### Screen



| Ø mm | Code          |
|------|---------------|
| 50   | <b>1T4325</b> |

Black painted anodized diffusive aluminium asymmetric screen.  
Complete with blade light filter.  
Ideal for a Wall Washer effect.  
To be combined with spot and flood optics.  
For RAY 75 versions with lens.

##### Grid



| Ø mm | Code          |
|------|---------------|
| 50   | <b>1T4322</b> |

Anti-glare louver.  
Black painted metal honeycomb structure.  
Complete with holographic diffusion filter.  
For RAY 75 versions with lens.

##### Filter



| Ø mm | Code          |
|------|---------------|
| 50   | <b>1T4721</b> |

PMMA holographic filter with blade effect to ovalize the light beam; more evident when combined with spot and flood optics.  
For RAY 75 versions with lens.

##### Optic



| Ø mm | Optic  | Code           |
|------|--------|----------------|
| 50   | SP 19° | <b>A056SPL</b> |
| 50   | FL 24° | <b>A056MFL</b> |
| 50   | FL 31° | <b>A056FLL</b> |

Interchangeable optical grade PMMA lenses.  
Available in Spot and Flood beams.  
The accessory is not compatible with RAY 75 NSL versions.

##### Bracket



| Colour | Code          |
|--------|---------------|
| ○      | <b>A058PW</b> |
| ●      | <b>A058DB</b> |

Rigid support bracket for projectors with Eurostandard Plus track attachment.  
For compatibility and use please refer to the assembly instructions for the projectors.  
For installation of Ray 75 projectors on wall vertical tracks.

Due to the technological evolution of the electronic components, the data provided may be updated, and as such, confirmation must be requested during the order process.  
Luminous flux and power supply have +/-10% tolerances with respect to the indicated value. tq +25°C (CIE 121).

We reserve the right to make technical changes.

Targetti Sankey S.r.l.  
Via Pratese, 164  
50145 Firenze - Italy  
Tel: +39 055 37911  
targetti.com  
targetti@targetti.com

CCIAA Firenze  
Share Capital:  
€ 500.000,00  
VAT N. (IT):  
01537660480  
R.E.A.: FI-275656

# TARGETTI